

# Up2Stream Plate AMP 2.1 User Manual

## 1. Introduction

Up2Stream Plate AMP 2.1 is a WiFi and Bluetooth 5.0 2.1 channel plate amplifier that is easy for you to build your own high-quality wireless streaming speakers. Up2Stream Plate AMP 2.1 is a full range Class D plate amplifier provides 50W L&R channels and 100W subwoofer, 3.5mm Aux input, Optical input, USB input for PC connection, Volume, Tone and Bass rotary knob for sound adjustment. Once connected to your home network, using our 4Stream app you can play music from your mobile, NAS or from online streaming services like Spotify, Deezer, Tidal, Qobuz and more. With multiple devices, you can form multiroom audio system and play the same music to each room in sync or play different music to different rooms.

## 2. What's in the Box



Up2Stream Plate AMP 2.1 x1



Internal Speaker Cable x3



Antenna x2



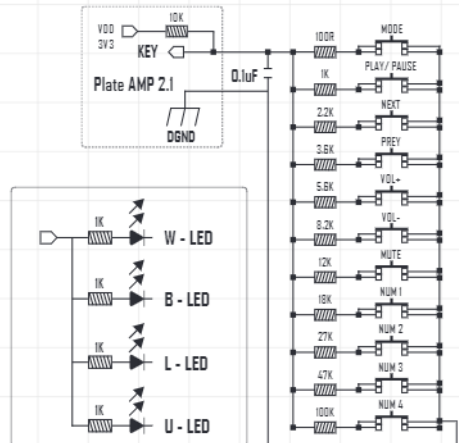
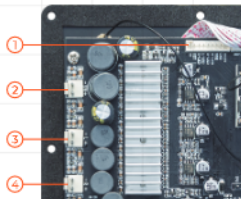
User Manual

## 3. Interface

- WiFi Antenna:** Socket Use to connect antenna to receive WiFi signal.
- BT Antenna:** Socket Use to connect antenna to receive Bluetooth signal.
- Bass:** Knob Knob for changing Bass level.
- Tone:** Knob Knob for changing treble level.
- Volume:** Knob Knob for changing the volume level. Press to switch source input.
- Ethernet Port:** For network connection using RJ45 cable.
- Mode button:** Press once to switch source input. Quickly Press twice to reset WiFi/Bluetooth connection. Quickly Press three times to do factory reset. Long Press to turn on the device, press again to turn on.
- Aux in:** For connection of analog audio signal using a 3.5mm to 3.5mm or 3.5mm to RCA cable.
- Opt in:** For connection of digital audio signal using an optical/Toslink cable.
- USB port:** For connection to PC to act as USB DAC or to use our DSP tool ACPWorkbench.
- DC port:** Use to connect 12V-24V power supply.



- PH2.0-9P:** WPS: Pins used to connect external mode button W-LED, B-LED, L-LED, U-LED: Pins used to connect external LED status light  
KEY: Pins used for connect external button board  
IR: Pins used for connect external IR receiver
- SW +/-:** Subwoofer speaker socket
- L +/-:** Left Channel speaker socket
- R +/-:** Right Channel speaker socket



## 4. How To Use

### 4.1 App Download

Download the 4STREAM application from App Store for iOS based devices and Google Play Store for Android based devices.

The application supports English, Spanish, French, German, Italian, Portuguese, Korean, Simplified Chinese, Traditional Chinese and Japanese



### 4.2 First Time Usage & BLE WiFi Setup

- Power up the device.
- Make sure your mobile has connected to your home network using 2.4G and your GPS and Bluetooth is on.
- Open 4Stream APP and wait for device discovery. This will take couple seconds.
- 4Stream will ask to check the indicator, there is no LED light on this device, just click on indicator is blinking. (You can connect your own LEDs with the LED Pins or purchase and use our expansion board: button board)
- For Android device, the system will ask for permission to use GPS data & File storage, please click accept to continue. This GPS permission is setup by Google for BLE usage, once setup is finish you can go to system settings and disable it, file storage permission is to let 4Stream access your mp3 files store in your mobile.
- 4Stream APP will list out all the device available for setup, choose the one you want.
- 4Stream APP will then ask you to choose the network you want the device to connect to, choose the one you want to connect.
- Now enter password for your network, if this is not the network you want the device to connect, you can change it to the desire one.
- Then you can change the name of the device. You can select a preset one or enter your own.
- After you define the name of the device, you will see it appears in the device list in 4Stream APP and now you can start streaming music.

"If you change to another router, or the password of the connected router has been changed, please quickly press the mode button twice in WiFi mode to reset the WiFi connection.

### 4.3 Connection via LAN

Plug in the RJ45 cable to the ethernet port, the device auto connects to your home network and will show on the app in about 10 seconds. (Note: your mobile phone and the device must be in the same network.)

### 4.4 Bluetooth

To use Bluetooth, switch to Bluetooth via 4Stream APP or by pressing the Volume knob or mode button. Then find the Bluetooth device SoundSystem\_XXXX from your phone Bluetooth setting and pair it. If you have changed the device name, "SoundSystem" will become the device name you changed.

#### 4.5 USB Audio

Power up and connect the device to your PC with USB cable. The PC will automatically discover a USB sound card and when you select it as the system audio output, the PC will send the audio output to the device in digital (44.1kHz/16bits). You can stream audio to other Up2Stream devices over multiroom function.

Note: There is about 3 seconds delay for multiroom slave devices.

#### 4.7 Web Player Interface

Enter the ip address of the device in a web browser and you can access the web player interface. The web player can let you play/pause the current song, go previous or next song, control the volume, access the Pre-set songs you define in 4Stream APP, enter internet radio URL to listen to radio, setup wifi connection, setup static ip address, do manual firmware update and factory reset.

\*You can check device ip address in 4stream app, click on device settings icon and select speaker info.

\*\*If you want to setup wifi in this interface, connect this device

(SSID: SoundSystem\_xxxx) to your phone/pc wifi directly, the default ip address is 10.10.10.254.

\*\*\*The default password is admin.

#### 4.8 Up2Stream ACPWorkbench (Sell Separately)

Connect the device to your PC with USB cable, open the windows program ACPWorkbench and you can tune audio effects conveniently in real time, including music noise suppressor, virtual bass, stereo widener, exciter, 10 bands EQ, configure output channel and PINs definition. After editing the audio effects, you need to save the changes to the device for the effects remain. You can get more information from our website.

#### 4.6 Multiroom Function

You can group multiple devices to form multiroom/multizone in 4Stream APP. Just click on the + icon on one of the devices and select other devices as slave device. The master device then can stream music and sync to all slave devices in different rooms.

#### 4.9 Firmware Update

The application will notify you in app when there is a new firmware available. It is recommended to update the firmware whenever it is available, as this might not only correct bugs or improve performance, but also might add new features or services.

### 5. Specification

Interfaces		
Audio Input	AUX (3.5mm)	Max 1V RMS input
	Optical	
	USB	for PC connection (16bit/44.1kHz) and ACPWorkbench tuning
	Bluetooth 5.0	AAC, SBC
Audio Output	L & R speaker socket	
	Subwoofer Speaker socket	
Network	WiFi	2.4G
	LAN	RJ45
Speaker Power		
Stereo	L&R 50W@4Ω + Sub 100W@2Ω BTL load at 24V	
	L&R 30W@8Ω + Sub 75W@4Ω BTL load at 24V	
	L&R 22W@4Ω + Sub 48W@4Ω BTL load at 19V	
	L&R 15W@8Ω + Sub 30W@4Ω BTL load at 15V	
Audio Performance		
Signal Noise Ratio	≥85dB @ max	
THD+N	<0.9% @ 1KHz, 1W	
Crosstalk	>55dB @1KHz	
Expansion Pins		
LED	for connection to external LED status lights	
KEY	for connection to external button board	
IR	for connection to external IR receiver	
General		
Power Supply	12 - 24V DC adaptor	
Knob	Volume, Tone, Bass	
Size	149x134x59mm	
Weight	0.5kg	

Scan the QR codes below for more



www.arylic.com



4STREAM App



Facebook: arylicme



YouTube: Arylic

